

ZEINAC

TAILORING



CATALOGUE

OUTERWEAR

PANTS

ETHNIC WEAR

ACCESORIES/GIFTS

ZEINAC TAILORING (M) SDN BHD
(1333455-H)
25B-1, JALAN 6/1, PANDAN INDAH
55100, KUALA LUMPUR

SALES PERSON:
FAREENA - +6013 694 4005

OUTERWEAR





CRT 1200 J NEIL TRACK JACKET

- Performance Eyelet
- Zip up fastening
- Stand collar
- Contrast color panel & piping
- Rib hem and cuffs
- Slanted welt pockets
- Quick-dry, lightweight material
- Soft feel, breathable performance
- Moisture-wicking performance fabric
- Best for training & lifestyle
- Satin Label
- Sizes : XS - 2XL

Size	XS	S	M	L	XL	2XL
Width	48	51	53	56	58	60
Length	62	64	67	70	72	75

Measurements may vary +/- 5% from actual product
Measurements are presented in cm



CRT 1201
Maroon
Navy / White



CRT 1202
Forest Green
Light Grey / White



CRT 1203
Navy
Black / White



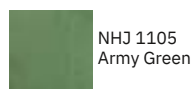
CRT 1204
Black
Red / White

NHJ 1100 BOMBER JACKET

Light and comfortable, versatile and contemporary design for any moment.
If you are looking for a garment with its own personality, the bomber jacket is the right option to combine with your entire wardrobe in any of the colours we offer.



Solid tone bomber jacket
Long sleeve
Light weight polyester pongee
Interlining with 210t polyester
Wind resistant fabric
Stand collar neckline
Elasticated cuffs and hem
2 front side pockets
1 inner pocket
Front zip fastening
Satin label
Sizes : XS - 3XL



NHJ 1105
Army Green



NHJ 1102
Light Grey



NHJ
1104
Black



NHJ
1103
Navy



NHJ
1101
Burgundy

Size	XS	S	M	L	XL	2XL	3XL
Width	51	53	55	57	59	61	63
Length	64	66	68	70	72	74	76

Measurements may vary +/- 5% from actual product
Measurements are presented in cm

NHJ 2100

FlipIt Reversible Jacket

High neckline
 Front zip fastening
 Elastic cuffs and hem
 Face: poly tricot / Back: poly pongee
 2 front side pockets; 2 front zip pockets
 Reversible with dual toned design on one side
 Regular fit
 Woven label
 Sizes : XS - 3XL



Size	XS	S	M	L	XL	2XL	3XL
Width	51	53	55	57	59	61	63
Length	64	66	68	70	72	74	76

Measurements may vary +/- 5% from actual product
 Measurements are presented in cm



Stylish and functional



NHJ 2101 - Navy / Black



NHJ 2102 - Sky Blue / Navy



NHJ 2103 - Black / Dark Grey



88500






Adult Hooded Sweatshirt

285 g/m2 (8.4 oz/yd2)
 50% cotton / 50% polyester preshrunk fleece knit
 Double-needle stitching at waistband and cuffs
 Double-lined hood with color-matched drawcord
 2 x 1 rib with spandex
 Pouch pockets
 Sideseamed
 Satin label
 Sizes : XS - 2XL



Size	XS	S	M	L	XL	2XL
Width	48	51	53	56	61	64
Length	62	65	67	70	73	75

Measurements may vary +/- 5% from actual product
 Measurements are presented in cm

 30 N White	 10 C Heliconia	 51 C Royal	 95 H Sport Grey
 40 C Red	 81 C Purple	 32 C Navy	 108 C Dark Heather
			 36 C Black





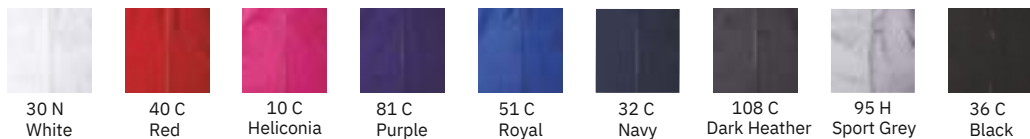
88600 Adult Full Zip Hooded Sweatshirt

285 g/m2 (8.4 oz/yd2)
 50% cotton / 50% polyester preshrunk fleece knit
 Double-needle stitching at waistband and cuffs
 Unlined hood with color-matched drawcord
 Metal Zipper
 Pouch pockets
 2 x 1 rib with spandex
 Sideseamed
 9 colors
 Satin label
 Sizes : XS - 2XL

Size	XS	S	M	L	XL	2XL
Width	48	51	53	56	61	64
Length	62	65	67	70	73	75

*MEASUREMENTS ARE PRESENTED IN CM

The Outerwear Trends





18700 - Adult Vintage Full Zip Hooded Sweatshirt

270 g/m2 (8 oz/yd2)

50% cotton / 50% polyester

Air jet yarn = softer feel and reduced pilling

Double-needle stitching at shoulder, armhole, neck, waistband and cuffs

Preshrunk fleece knit, Cross dyed shades (2 colors in one fabric)

Pouch pockets

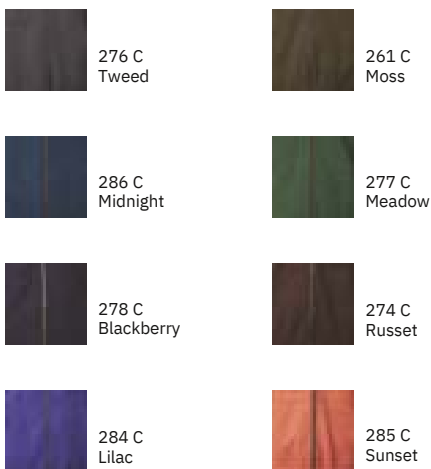
1 x 1 rib with spandex

Unlined hood, Contrast dark grey flatcord

Brass zipper with contrast dark grey trim

Quarter-turned to eliminate center crease

Satin label



Sizes : S - XL

Size	S	M	L	XL
Width	49	54	59	64
Length	65	67	70	72

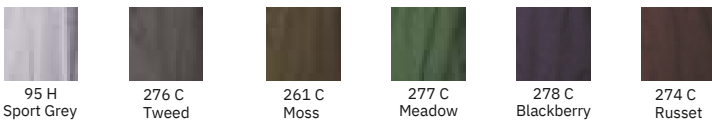
Measurements may vary +/- 5% from actual product
Measurements are presented in cm





18800 - Adult Vintage Cadet Collar Sweatshirt

270 g/m2 (8 oz/yd2)
 50% cotton / 50% polyester
 Preshrunk fleece knit
 Air jet yarn = softer feel and reduced pilling
 Cross dyed shades (2 colors in one fabric)
 Self fabric lined collar
 Satin label
 Contrast dark grey twill tape
 1/4 brass zipper with contrast dark grey trim
 Double-needle stitching at shoulder,
 armhole, waistband and cuffs
 1 x 1 rib with spandex
 Quarter-turned to eliminate center crease
 Sizes : S - XL



Size	S	M	L	XL
Width	51	56	60	66
Length	68	71	73	76

Measurements may vary +/- 5% from actual product
 Measurements are presented in cm



CRJ 1100 VARSITY JACKET

60% Cotton 40% Polyester CVC
 Fleece Varsity style jacket with tipping
 detail Striped rib-knit cuffs & collar
 Short stand collar
 Slanted welt pockets
 Straight cut suits all body types
 Authentic sweat fabric
 Satin Label
 Sizes : S - 3XL

Size	S	M	L	XL	2XL	3XL
Width	51	53	56	58	60	63
Length	70	72	75	77	80	82

Measurements may vary +/- 5% from actual product
 Measurements are presented in cm



CRJ 1101
Red / White



CRJ 1102
Black / White



CRJ 1103
Royal / White



CRJ 1104
Navy / White



CRJ 1105
Sport Grey / White



CRJ 1106
Maroon / White





CRJ 1200 LIFESTYLE JACKET

Sublimated Casual Jacket
 Performance Flat Knit
 Multi tone design
 Zip up fastening
 Mandarin stand collar
 Slanted welt pockets
 Rib collar, cuffs and hem
 Lightweight material
 Soft feel, breathable performance
 Moisture-wicking performance fabric
 Satin Label
 Sizes : XS - 2XL



Size	XS	S	M	L	XL	2XL
Width	48	51	53	56	58	60
Length	68	68	71	71	73	73

Measurements may vary +/- 5% from actual product
 Measurements are presented in cm



CRJ 1201
Navy
Red / White



CRJ 1202
Daisy
White / Navy



CRJ 1203
Lt. Blue
Daisy / Black



CRJ 1204
Royal
White / Black



TJ 1 Track Jacket

Material : 100% Polyester
 Weight : 270gsm
 Size : 2XS - 5XL (unisex)



Affordable



Plus Size



Keep Warm



Wrinkle Resistant



Easy Care

Size	2XS	XS	S	M	L	XL	2XL	3XL	4XL	5XL
Chest	19"	20"	21"	22"	23"	24"	25"	26"	27"	28"
Length	24"	25"	26"	27"	28"	29"	30"	31"	32"	33"
Shoulder	16"	17"	18"	19"	20"	21"	22"	23"	24"	25"
Sleeve	21"	22"	23"	24"	25"	25"	25"	25"	26"	26"

**Size measurement may vary +/- 5%



TJ 100
White



TJ 112
Red



TJ 108
Maroon



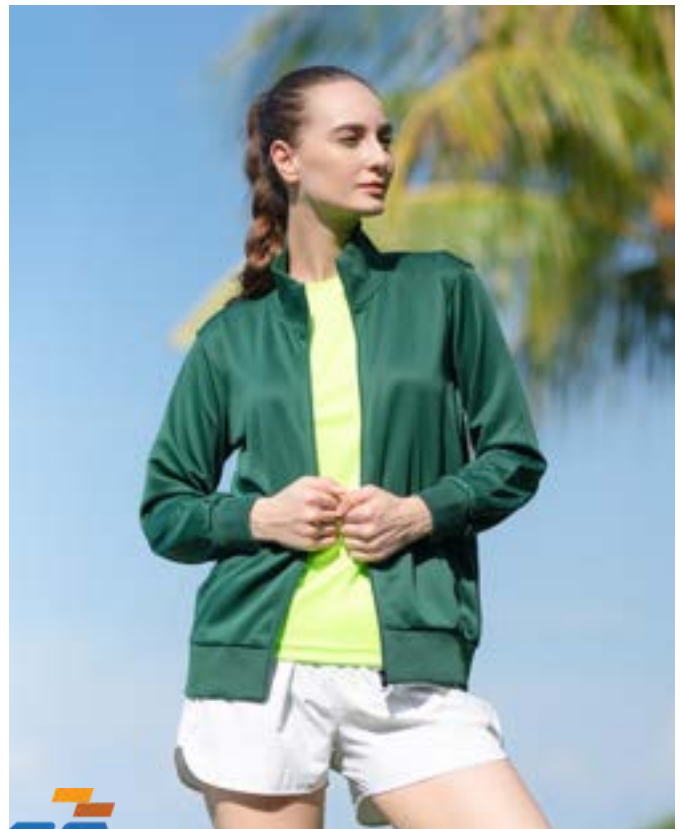
TJ 109
Navy Blue



TJ 115
Dark Green



TJ 110
Black





SGS
TEST REPORT
intertek
The Quality Network



- * 100% Performance Dri-Fit Polyester
- * 100% Polyester Inner Lining
- * Moisture Wicking & Sweat Absorbent
- * Eco-Friendly & Water Saving

zeinac
TAILORING

ZIP UP JACKET (UNISEX)

SIZE	SHOULDER	CHEST	SLEEVE	LENGTH
XXS	16"	37"	21.5"	25"
XS	17"	39"	22.5"	26"
S	18"	41"	23.5"	27"
M	18.5"	43"	24"	28"
L	19"	45"	25"	29"
XL	20"	47"	25.5"	30"
XXL	21"	49"	26.5"	31"
3XL	22"	51"	27"	32"
4XL	23"	53"	27.5"	33"
5XL	24"	55"	28"	34"

Note: Size may varies +/-3% from the above mentioned chart.
* SHELL - 50GSM | 1.94oz
* INNER - 180GSM | 5.64oz

UVJ01
COLORS SELECTION



zeinac
TAILORING



SGS Intertek
TEST REPORT



- * 92% Polyester + 8% Spandex
- * Side Zip Pocket
- * Matching Collar Rib
- * Moisture Wicking & Sweat Absorbent
- * Eco-Friendly & Water Saving



ZIP UP JACKET (UNISEX)

SIZE	SHOULDER	CHEST	SLEEVE	LENGTH
2XS	16"	33"	21.5"	25"
XS	17"	35"	22.5"	26"
S	18"	41"	23.5"	27"
M	18.5"	43"	24"	28"
L	19"	45"	25"	29"
XL	20"	47"	25.5"	30"
2XL	21"	49"	26.5"	31"
3XL	22"	51"	27"	32"
4XL	23"	53"	27.5"	33"

Note: Size may vary +/- 1% from the above mentioned chart.
* 280GSM | 0.26oz

UVJ03 COLORS SELECTION



UVJ002
BLACK



UVJ003
NAVY



UVJ007
LIGHT GREY



VARSITY JACKET



- * 92% Polyester + 8% Spandex
- * Color Matching Matt Button
- * 2 Front Pockets
- * Moisture Wicking & Sweat Absorbent
- * Eco-Friendly & Water Saving

SIZE	SHOULDER	CHEST	SLEEVE	LENGTH
2XS	16"	37"	22"	23.5"
XS	17"	39"	22.5"	24.5"
S	18"	41"	23.5"	25.5"
M	18.5"	43"	24"	26.5"
L	19.5"	45"	25"	27.5"
XL	20"	47"	25.5"	28.5"
2XL	21"	49"	26.5"	29.5"
3XL	22"	51"	27.5"	30.5"
4XL	23"	53"	28"	31.5"

Note: Size may vary +/- 5% from the above mentioned chart.
* 280GSM | 8.35oz

UVJ05
COLORS SELECTION



UVJ0502
BLACK + WHITE



UVJ0503
NAVY BLUE + WHITE



UVJ0504
CRIMSON RED + WHITE



UVJ0512
ROYAL BLUE + WHITE



UVJ0526
BLACK + RED



READY STOCK
ESSENTIALS

Anti Fabric Fur
Ball Technology



zeinac
TAILORING
**COLLAR FLEECE
ZIP UP JACKET (UNISEX)**

SIZE	WAIST	CHEST	SLEEVE	LENGTH
S	43"	42"	23"	25"
M	44"	44"	24"	26"
L	46"	45"	25"	26"
XL	47"	47"	26"	27"
2XL	49"	48"	26"	28"
3XL	50"	50"	27"	29"

Note: Size may vary $\pm 1\%$ from the above mentioned chart.
* 280GSM | 8.20oz

- 100% Polyester Reverse Dual Sided Fleece
- Full Zip Stand Up Collar
- Elastic Sleeve End
- Zip On Both Sided Pocket
- Elastic Cord At Hem For Hem Adjustment

OWC45
COLORS SELECTION



OWC4502
ONYX BLACK



OWC4504
CRIMSON RED



OWC4512
ROYAL BLUE



READY STOCK
ESSENTIALS

Anti Fabric For
Ball Technology



zeinac
TAILORING
**COLLAR FLEECE
ZIP UP JACKET (FEMALE)**

SIZE	WAIST	CHEST	SLEEVE	LENGTH
S	37"	35"	22"	23"
M	39"	36"	23"	24"
L	40"	38"	23"	25"
XL	42"	39"	24"	26"
2XL	43"	41"	24"	26"
3XL	45"	43"	25"	27"

Note: Size may vary ± 2% from the above mentioned chart.
* 280GSM | 8.20oz

- 100% Polyester Reverse Dual Sided Fleece
- **FEMALE** Cutting
- Full Zip Stand Up Collar
- Elastic Sleeve End
- Zip On Both Sided Pocket
- Elastic Cord At Hem For Hem Adjustment

OWC55
COLORS SELECTION



OWC5502
ONYX BLACK



OWC5504
CRIMSON RED



OWC5512
ROYAL BLUE



READY STOCK
ESSENTIALS

Unlined Hood With
Matching Drawstring



- 65% Cotton + 35% Polyester
- Kangaroo Pockets With Ribbed Finishing
- Double Needle Cuffs And Waistband For Extra Durability.

**HOODIE
WITHOUT ZIP**

SIZE	SHOULDER	CHEST	SLEEVE	LENGTH
2XS	13"	34"	23"	25"
XS	14"	36"	24.5"	25.5"
S	17"	38"	24.5"	26"
M	18"	41"	25"	27.5"
L	18.5"	43"	26"	29"
XL	19"	46"	27"	30"
2XL	20"	48"	27.5"	31"
3XL	21"	50"	28"	32"
4XL	21.5"	52"	29"	33"

Note: Size may varies +/- 2% from the above mentioned chart.
* 220GSM | 6.50oz

HDR30
COLORS SELECTION



HDR3001
PEARL WHITE



HDR3002
ONYX BLACK



HDR3003
NAVY BLUE



HDR3004
CRIMSON RED



HDR3005
LIGHT GREY



READY STOCK
ESSENTIALS

Unlined Hood With
Matching Drawstring



- 65% Cotton + 35% Polyester
- Pouch Pockets
- Matching Zip
- Double Needle Cuffs And Waistband For Extra Durability

HOODIE WITH ZIP

SIZE	SHOULDER	CHEST	SLEEVE	LENGTH
2XS	15"	34"	23"	25"
XS	16"	36"	24.5"	25.5"
S	17"	38"	24.5"	26"
M	18"	41"	25"	27.5"
L	18.5"	43"	26"	29"
XL	19"	46"	27"	30"
2XL	20"	48"	27.5"	31"
3XL	21"	50"	28"	32"
4XL	21.5"	52"	29"	33"

Note: Size may vary +/- 1% from the above mentioned chart.
* 220GSM | 6.58oz

HDR40

COLORS SELECTION



HDR4001
PEARL WHITE



HDR4002
ONYX BLACK



HDR4003
NAVY BLUE



HDR4004
CRIMSON RED



HDR4006
LIGHT GREY



READY STOCK
ESSENTIALS



- 100% Light Weight Polyester
- UPF40 + Coating
- Fully Sewn Built in Hoodie Design
- Packable Drawstring Bag Included
- Come with Unique Pattern Prints in Front Panel

zeinac
TAILORING
**LIGHTWEIGHT
MICROFIBER
JACKET IN A BAG (PACKABLE)**

SIZE	CHEST	SLEEVE	LENGTH
S	40"	27.5"	25"
M	41"	28.5"	26"
L	43"	29"	26.5"
XL	44"	30"	27"
2XL	46"	31"	28"
3XL	48"	31.5"	29"
4XL	49"	32.5"	29.5"

Note: Size may vary +/- 2% from the above mentioned chart.

AKJ01
COLORS SELECTION





READY STOCK
ESSENTIALS



zeinac
TAILORING
**CLASSIC
SOFT CARDIGAN**

SIZE	SHOULDER	CHEST	SLEEVE	LENGTH
S	16"	38"	24"	25.5"
M	16.5"	40"	24"	26"
L	17"	42"	24"	27"
XL	17.5"	44"	25"	27.5"
2XL	18"	46"	25"	28"
3XL	18.5"	48"	25"	28.5"
5XL	19.5"	52"	26"	30"

Note: Size may vary by 1% from the above mentioned chart.
* 130GSM | 8.88oz

ARC10
COLORS SELECTION



ARC1001
DARK GREY



ARC1002
NAVY BLUE



ARC1003
GREEN



ARC1004
BLACK



ARC1005
BROWN



ARC1006
MAROON

Pattern B Executive Jacket

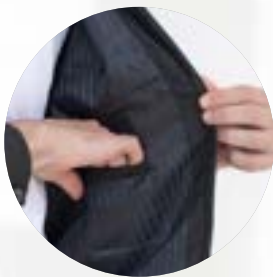
Material : 65% Polyester / 35% Viscose :
Weight : 260 gsm
Size : XS - 4XL (unisex)

Size	XS	S	M	L	XL	2XL	3XL	4XL
Chest	20"	21"	22"	23"	24"	25"	26"	27"
Length	23"	24"	25"	26"	27"	28"	29"	30"
Shoulder	15"	16"	17"	18"	19"	20"	21"	22"
Sleeve	21"	21.5"	22"	22.5"	23"	23.5"	24"	24.5"

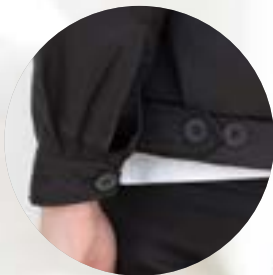
**Size measurement may vary +/- 5%



Two Side Pockets



Inner Pockets



Button Adjuster
For Perfect Fit

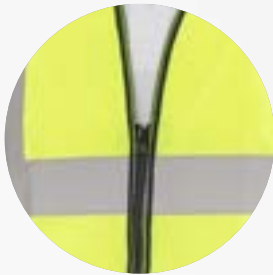


SV 01 Safety Vest

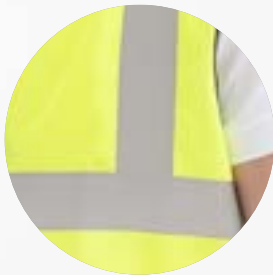
Material : 100% Polyester :
Size L - 2XL (unisex)

Size	L	XL	2XL
Chest	23"	24"	25"
Length	27"	27"	27"
Shoulder	18"	19"	20"

**Size measurement may vary +/- 5%



Front Zipper



High Visibility
Reflective Strip



CORPORATE UNIFORM

INDUSTRIAL

JACKET

MATERIAL



100% COTTON

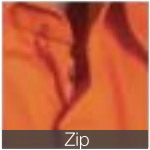


zeinac
TAILORING

UNISEX

Sizes: M - 2 XL

UNISEX MODERN FIT	M	L	XL	2XL
A Shoulder	18"	19"	20"	20,5"
B Chest	42"	44"	46"	48"
C Body Length	27"	28"	29"	30"
D Sleeve Length	24"	24"	24,5"	25"



RED
JK 5202



NAVY BLUE
JK 5200



ORANGE
JK 5203



ROYAL BLUE
JK 5206



GREY
JK 5207



KHAKI
JK 5208



YTJ 1 Track Jacket (Kids)

Material : 100% Polyester
 Weight : 270 gsm
 Size : 28 - 32 (7/8Y - 11/12Y)



Affordable



Plus Size



Keep Warm



Wrinkle Resistant



Easy Care

Size	28 7/8Y	30 9/10Y	32 11/12Y
Chest	16"	17"	18"
Length	21"	22"	23"
Shoulder	13"	14"	15"
Sleeve	18"	19"	20"

**Size measurement may vary +/- 5%



YTJ 100
White



YTJ 112
Red



YTJ 108
Maroon



YTJ 109
Navy Blue



YTJ 115
Dark Green



YTJ 110
Black





PANTS



CRT 1100 P Zeal Active Trackpants

Stress-free Comfort

- Performance Flat Knit (Black)
- Poly Tricot Brush (Dark Grey)
- Elastic waistband
- Functional drawcord waistband
- Welt side pockets
- Elasticised ankle cuffs
- Unisex design
- Relaxed fit
- Satin Label
- Superior Retail Fit : XS - 2XL



CRT 1101
P Black



CRT 1102 P
Dark Grey

Size Chart

Size	XS	S	M	L	XL	2XL
Waist Relaxed	33	35	38	40	43	45
Waist Extended	38	40	43	45	48	51
Outseam	99	101	104	106	109	111

Measurements may vary +/- 5% from actual product
Measurements are presented in cm



CRS 1100

Elite Training Shorts

Performance Interlock
Unisex design
Elastic waistband
Functional drawcord waistband
Quick-dry, lightweight comfort
Unisex design
Relaxed fit
Satin Label
Sizes : S - XL

Size	S	M	L	XL
Waist Relaxed	33	35	38	40
Waist Extended	45	47	47	49
Outseam	39	40	41	42

Measurements may vary +/- 5% from actual product
Measurements are presented in cm



4 colors



CRS 1101
Black



CRS 1102
Navy



CRS 1103
Royal



CRS 1104
Red

P-201 Microfiber Short Pants

- Material : 100% polyester
- Fabric : Microfiber
- Weight : 110 gsm
- Size : S - 2XL (adult unisex)

SIZE	WAIST (RELAXED)	WAIST (STRETCHED)	HIP	OUTSEAM (LENGTH)
S	13"	19 1/2"	20"	18"
M	13 1/2"	20 1/2"	21"	18"
L	14"	21 1/2"	22"	19"
XL	14 1/2"	22 1/2"	23"	19"
2XL	15"	23 1/2"	24"	19"

*Kindly note that all measurements are subjected to 1 inch allowance, depending on the characteristics of the fabric used.



28 Army Green



SIDES POCKET



DRAWCORD ON WAIST



BACK POCKET WITH ZIP



09 Black



P-501 Microfiber Track Pants

Material : 100% polyester
 Fabric : Microfiber
 Weight : 110 gsm
 Size : S - 2XL (adult unisex)

SIZE	WAIST (RELAXED)	WAIST (STRETCHED)	HIP	OUTSEAM (LENGTH)
S	13"	20"	20 1/2"	38"
M	13 1/2"	21"	21 1/2"	39"
L	14"	22"	22 1/2"	40"
XL	14 1/2"	23"	23 1/2"	41"
2XL	15"	24"	24 1/2"	42"

*Kindly note that all measurements are subjected to 1 inch allowance, depending on the characteristics of the fabric used.

MICROFIBER



09 Black



SIDES POCKET



DRAWCORD ON WAIST



BACK POCKET WITH ZIP



FLAT OPENING LEGS



08 Navy



P-502 Microfiber Track Pants

- Material : 100% polyester
- Fabric : Microfiber
- Weight : 110 gsm
- Size : S - 2XL (adult unisex)

SIZE	WAIST (RELAXED)	WAIST (RESTRICTED)	HIP	OUTSEAM (LENGTH)
S	13"	20"	20 1/2"	38 1/2"
M	13 1/2"	21"	21 1/2"	39 1/2"
L	14"	22"	22 1/2"	40 1/2"
XL	14 1/2"	23"	23 1/2"	41 1/2"
2XL	15"	24"	24 1/2"	42 1/2"

*Kindly note that all measurements are subjected to 1 inch allowance, depending on the characteristics of the fabric used.



08 Navy



SIDES POCKET



DRAWCORD ON WAIST



BACK POCKET WITH ZIP



GRIP OPENING LEGS WITH ZIP



09 Black



CORPORATE UNIFORM

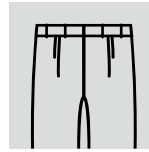
TROUSER

TROUSER

MALE

Waist: 29" - 48"

LONG TROUSER DOUBLE PLEAT



Double Pleat

WAIST	29"-36"	37"-44"	45"-48"
LENGTH	45"	46"	47"



BLACK
TPS1



MATERIAL
POLYSOFT



BACK
VIEW



BLACK
TTR1



MATERIAL
TETORON RAYON

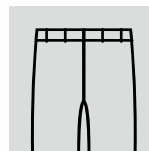


BACK
VIEW

LONG TROUSER FLAT FRONT

MALE

Waist: 29" - 44"



Flat Front

WAIST	29"	30"-34"	35"-44"
LENGTH	44"	44,5"	45"



BLACK
TPS2



MATERIAL
POLYSOFT



BACK
VIEW



BLACK
TTR2



MATERIAL
TETORON RAYON



BACK
VIEW

ETHNIC WEAR



Muslimah Wear

SMW 1900 - MILES

Embracing the beauty of all women. Sarra is designed to accentuate the features of contemporary Muslim Women. We are very concerned about the conscience and modesty while featuring modern life, to offer you comfort and elegance.

- 100% Soft cotton denim
- Pearlized buttons
- Front button placket
- Soft hand feel material
- Light and comfortable
- Regular collar completes the look
- New asian A shape muslimah cutting
- Great for both casual and dressier looks
- Woven Label
- Superior Retail Fit : S -3XL



SMW 1901
Sky



SMW 1902
Earl Blue



SMW 1903
Midnight

Size	S	M	L	XL	2XL	3XL
Width	48	51	53	56	58	60
Length	89	91	94	96	99	101

Measurements may vary +/- 5% from actual product
Measurements are presented in cm



SMW 1300 INAYAH

Muslimah Wear

40% Cotton 60% Polyester
Mandarin collar
Classic two color panel
Waistline pocket feature
Superior Retail Fit :
Ladies fitting from S to 3XL



SMW 1301
Daisy / Forest Green



SMW 1302
Maroon / Heliconia



SMW 1303
Black / Charcoal



SMW 1304
Purple / Red

Size	S	M	L	XL	2XL	3XL
Width	48	51	53	56	58	60
Length	89	91	94	96	99	101

Measurements may vary +/- 5% from actual product
Measurements are presented in cm



SMW 1300M IYADH MUSLIMIN

40% Cotton 60% Polyester
 Welded collar and placket
 Classic two color panel
 Polo collar neckline
 Regular fit
 Button fastening
 Superior Retail Fit :
 Men fitting from S to 3XL

Size	S	M	L	XL	2XL	3XL
Width	48	51	53	56	58	60
Length	68	71	73	76	79	81

Measurements may vary +/- 5% from actual product
 Measurements are presented in cm



SMW 1301 M
Daisy / Forest Green



SMW 1302 M
Maroon / Heliconia



SMW 1303 M
Black / Charcoal



SMW 1304 M
Purple / Red

SMW 1500 - AMMARA

Embracing the beauty of all women.



SMW 1501
Black /
Royal



SMW 1502
Maroon / Charcoal



SMW 1503
Navy / Red



SMW 1504
Navy / Sapphire



SMW 1505
Black / Charcoal



SMW 1506
Maroon / Heliconia



SMW 1507
Forest Green / Lime

40% Cotton 60% Polyester

Sporty Raglan design

Long sleeves

Round neckline

Waistline pocket feature

New asian A shape muslimah cutting

Regular fit

Woven label

Superb Comfort

Superior Retail Fit :

Ladies fitting from S to 3XL

Size	S	M	L	XL	2XL	3XL
Width	48	51	53	56	58	60
Length	89	91	94	96	99	101

Measurements may vary +/- 5% from actual product
Measurements are presented in cm

SMW 1500M - ADAM Muslimin Wear Collection

Sarra are caters to everyday modern Muslims with its wide variety of comfortable and stylish Muslim wear. Always bring the perfect outlook for men who wear it, fulfill the needs of fashion and comfortability. Sarra is an importance piece to earn by the modern Muslim.



40% Cotton 60% Polyester
Welded collar and placket
Sporty Raglan design
Polo collar neckline
Regular fit
Button fastening
Superior Retail Fit :
Men fitting from S to 3XL



SMW 1501 M
Black / Royal



SMW 1502 M
Maroon / Charcoal



SMW 1503 M
Navy / Red



SMW 1504 M
Navy / Sapphire



SMW 1505 M
Black / Charcoal



SMW 1506 M
Maroon / Heliconia



SMW 1507 M
Forest Green / Lime

Size	S	M	L	XL	2XL	3XL
Width	48	51	53	56	58	60
Length	68	71	73	76	79	81

Measurements may vary +/- 5% from actual product
Measurements are presented in cm

SMW 1600 FADHILAH

100% Performance Dry Pique

Round neckline

Sporty raglan design

Waistline pocket feature

New asian A shape muslimah cutting

Soft and smooth handfeel

Antimicrobial, Anti-odor

Breathable performance

Woven Label

Superior Retail Fit : Ladies fitting from S to 3XL

Size	S	M	L	XL	2XL	3XL
Width	48	51	53	56	58	60
Length	89	91	94	96	99	101

Measurements may vary +/- 5% from actual product

Measurements are presented in cm



SMW 1601
Navy
Heliconia / White



SMW 1602
Charcoal
White / Black



SMW 1603
Forest Green
Daisy / Maroon

SMW 1800 OBADIAH

Muslimah Wear

100% Performance Dry Pique
Solid coloured muslimah top
Round neckline
Hidden side pocket
New asian A shape muslimah cutting
Lightweight material
Soft feel, breathable performance
Woven label
Superior Retail Fit : S -3XL



SMW 1801
Heliconia



SMW 1802
Irish Green



SMW 1803
Purple



SMW 1804
Black



SMW 1805
Navy

Size	S	M	L	XL	2XL	3XL
Width	48	51	53	56	58	60
Length	89	91	94	96	99	101

Measurements may vary +/- 5% from actual product
Measurements are presented in cm

ACCESSORIES & GIFTS





NHT 2100 Soft Touch Spa Towel

Material: 100% Cotton

Weight: 400 gsm

Soft Touch hand feel

Ideal for washroom ensemble

Striped border offers a touch of appeal

Exceptionally plush, rich and long lasting

Cozy comfort, durable and highly absorbent

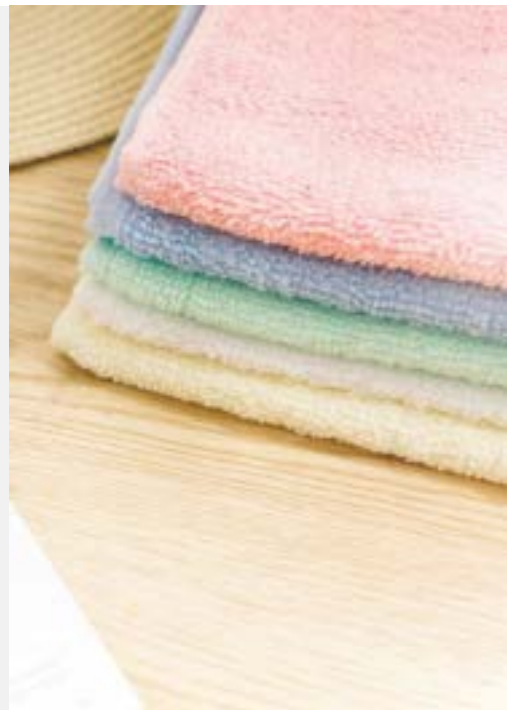
Simplicity and elegance

Available in 5 colors

Easy care, machine washable

Satin label

Size: 70cm x 140cm



NHT 2101
Soft White



NHT 2102
Corn Silk



NHT 2103
Mint Cream



NHT 2104
Dust Blue



NHT 2105
Watermelon

NHT 1101
Soft White



NHT 1102
Corn Silk



NHT 1103
Mint Cream



NHT
1104
Dust Blue



NHT 1105
Watermelon



NHT 1100 Soft Touch Hand Towel

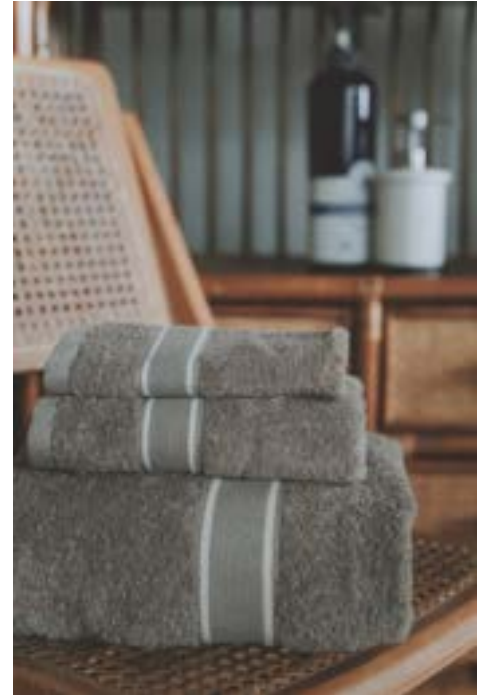


Material: 100% Cotton
Weight: 80 gsm
Soft Touch hand feel
Ideal for a wide variety of uses
Striped border offers a touch of appeal
Exceptionally plush, rich and long lasting
Cozy comfort, durable and highly absorbent
Simplicity and elegance
Available in 5 colors.
Easy care, machine washable
Satin label
Size: 32cm x 70cm
RRP : 29.90 MYR / 11.90 SGD

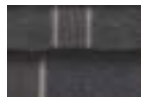


MONTEX

Anti-bacterial Towel



268
Berry



042
Steel Grey



765
Icelandic Blue



105
Fungi Brown



100% high-quality cotton
Impressive absorbency rate
Quick-dry characteristic
Prevent odour
Hand or machine washed
Tumble dried in low heat
Hypoallergenic towel.

BATH TOWEL (BT)
68 cm x 137 cm
weight : 420 gram

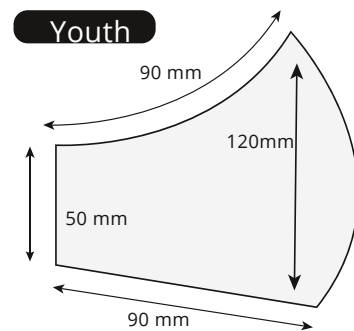
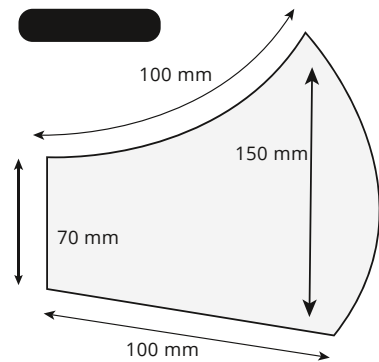
HAND TOWEL (HT)
35 cm x 76 cm
weight : 100 gram

FACE TOWEL (FT)
33 cm x 33 cm
weight : 50 gram

CRM 1100

Premium Eco Face Mask

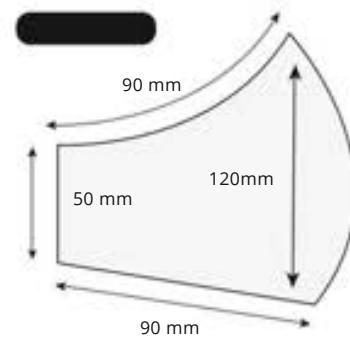
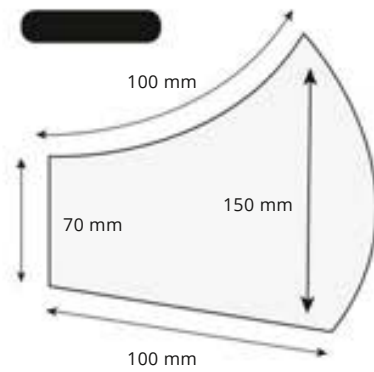
- Performance Flat Knit
- Breathable lightweight material
- Adjustable elastic ear loop
- With filter pocket
- Comfortable fit and shape contours to face
- Eco-friendly and sustainable masks
- Soft yet durable construction
- Washable and reusable
- Protection for daily use
- Available in adult and youth sizes





CRM 1200 Eco Designer Mask

Sandwich Fabric, Air Mesh
Sublimated face mask
Breathable lightweight material
Adjustable elastic ear loop
With filter pocket
Comfortable fit and shape contours to face
Eco-friendly and sustainable masks
Soft yet durable construction
Washable and reusable
Protection for daily use
Available in adult and youth sizes



CRM 1200

Eco Designer Mask Designs



CRM 1201



CRM 1202



CRM 1203



CRM 1204



CRM 1205



CRM 1206



CRM 1207



CRM 1208



CRM 1209



CRM 1210



CRM 1211



CRM 1212



CRM 1213



CRM 1214



CRM 1215



CRM 1216



CRM 1217



CRM 1218



CRM 1219



CRM 1220



CRM 1221



CRM 1222



CRM 1223



CRM 1224



CRM 1225



CRM 1226



CRM 1227



CRM 1228



CRM 1229



CRM 1230

P-C02



5 Panel Baseball Cap Adult Unisex

- ✔ Style: 5 panel fitted cap
- ✔ Size: Adjustable
- ✔ Seamed front panel with full buckram
- ✔ 5 sewn eyelets
- ✔ Pro stitch on crown
- ✔ 5 rows of stitching on visor
- ✔ Matching fabric undervisor
- ✔ Matching color sweatband
- ✔ Adjustable velcro closure
- ✔ 100% Polyester



01 White



36 Sand



03 Yellow



05 Royal



06 Red



08 Navy



09 Black



Adjustable velcro closure


100% Polyester


zeinac
TAILORING

P-C01



6 Panel Baseball Cap Adult Unisex

- ✔ Style: 6 panel fitted cap
- ✔ Size: Adjustable
- ✔ Seamed front panel with full buckram
- ✔ 6 sewn eyelets
- ✔ Pro stitch on crown
- ✔ 6 rows of stitching on visor
- ✔ Matching fabric undervisor
- ✔ Matching color sweatband
- ✔ Cotton Brush (100% cotton)



Adjustable buckle closure



01 White



36 Sand



06 Red



08 Navy



05 Royal

09 Black



P-C03

6 Panel Hip Hop Cap Adult Unisex



- ✔ Style: 6 panel fitted cap
- ✔ Size: Adjustable
- ✔ Seamed front panel with full buckram
- ✔ 6 sewn eyelets
- ✔ Pro stitch on crown
- ✔ 6 rows of stitching on visor
- ✔ Matching fabric undervisor
- ✔ Matching color sweatband
- ✔ 100% Polyester Acrylic Fiber



Snapback



06 Red



09 Black



05 Royal

08 Navy

ZEINOC
TAILORING

NHC 1100 Baseball Cap

Acrylic Twill
6-panel Fitted Cap
Seamed Front Panel with Full Buckram
6 Sewn Eyelets
Pro Stitch on Crown
6 Rows of Stitching on Visor
Matching Fabric Undervisor
Matching Color Sweatband
Metal Sliding Buckle Closure



9 colors



NHC 1101
White



NHC 1102
Grey



NHC 1105
Forest Green



NHC 1104
Daisy



NHC 1106
Red



NHC 1107
Maroon



NHC 1108
Royal



NHC 1109
Navy



NHC 1103
Black





KIND OF COOL TREND

Acrylic Twill
6-panel Fitted Cap
Seamed Front Panel with Full Buckram
6 Sewn Eyelets
Pro Stitch on Crown
6 Rows of Stitching on Visor
Matching Fabric Undervisor
Matching Color Sweatband
Adjustable Snap Closure



NHC 1200 SNAPBACK



NHC 1201
White



NHC 1202
Grey



NHC 1204
Forest Green



NHC 1205
Red



NHC 1206
Royal



NHC 1207
Navy



NHC 1203
Black



H6 Baseball Cap

Material : Acrylic Twill
 Type : 6 Panel
 Back : Velcro Strap

Brim Width	Circumference
7.5cm	57 - 58cm

**Size measurement may vary +/- 5%

-  Affordable
-  Tear Away Sticker
-  Easy Care



H 603
Lemon Yellow





H5 Snapback Cap

Material : Acrylic Twill
 Type : 6 Panel
 Back : Snap Adjuster

Brim Width	Circumference
7.5cm	57 - 58cm

**Size measurement may vary +/- 5%



Affordable Tear Away Sticker Easy Care



H 507
Royal Blue



H 500
White



H 503
Lemon Yellow



H 504
Orange



H 512
Red



H 508
Maroon



H 545
Mid Grey



H 515
Dark Green



H 509
Navy Blue



H 510
Black



H7 Trucker Cap

Material : Acrylic Twill
 Type : 5 Panel
 Back : Snap Adjuster

Brim Width	Circumference
7.5cm	57 - 58cm

**Size measurement may vary +/- 5%



Affordable



Tear Away Sticker



Easy Care



H 707
Royal Blue



H 700
White



H 745
Mid Grey



H 715
Dark Green



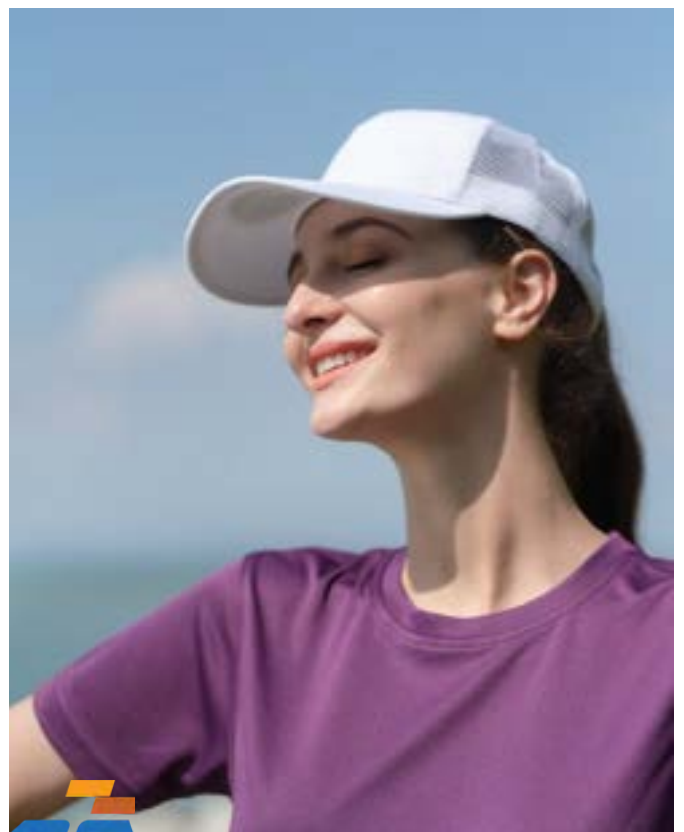
H 712
Red



H 709
Navy Blue



H 710
Black





YH 6 Baseball Cap (Kids)

Material : Acrylic Twill
 Size : 5/6Y - 11/12Y
 Type : 6 Panel
 Back : Velcro Strap

Brim Width	Circumference
6.5cm	53 - 54cm

**Size measurement may vary +/- 5%



YH 607
Royal Blue



YH 600
White



YH 603
Lemon Yellow



YH 602
Apple Green



YH 613
Light Pink



YH 604
Orange



YH 612
Red



YH 648
Purple



YH 609
Navy Blue



YH 610
Black





YH 5 Snapback Cap (Kids)

Material : Acrylic Twill
 Size : 5/6Y - 11/12Y
 Type : 6 Panel
 Back : Snap Adjuster

Brim Width	Circumference
6.5cm	53 - 54cm

**Size measurement may vary +/- 5%



Affordable



Tear Away Sticker



Easy Care



YH 512
Red



YH 500
White



YH 509
Navy Blue

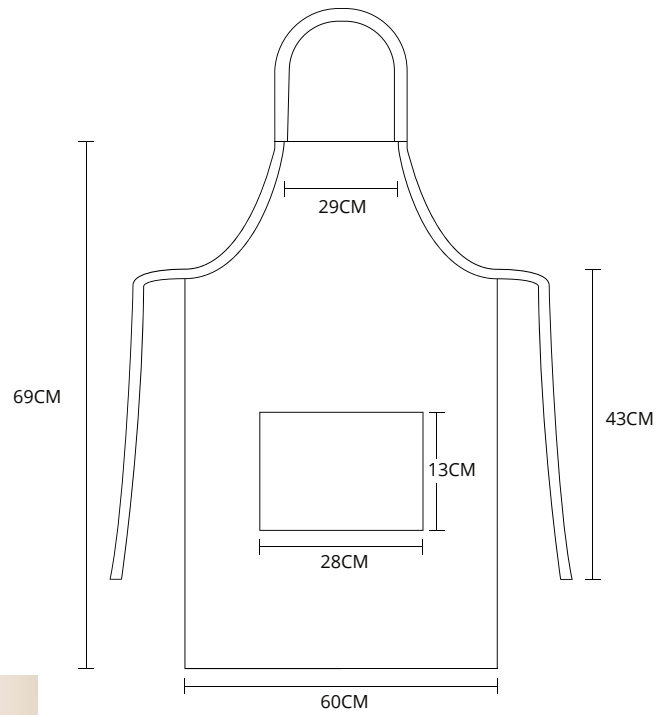


YH 510
Black



NHA 1100 VICIOUS APRON

Material : 100% Polyester
With practical pockets for small items
The loop makes it easy to hang
Strong seams for extra durability
Simplicity and elegance
High-grade materials & excellent workmanship soft in texture and has no smell
Available in 6 colors.
Easy care, machine washable
Satin Label
Size : 60cm x 69cm



6 colors



NHA
1101
Black



NHA
1102
Navy



NHA 1105
Forest Green



NHA
1103
Red



NHA
1104
Royal



NHA
1106
Khaki

CORPORATE UNIFORM

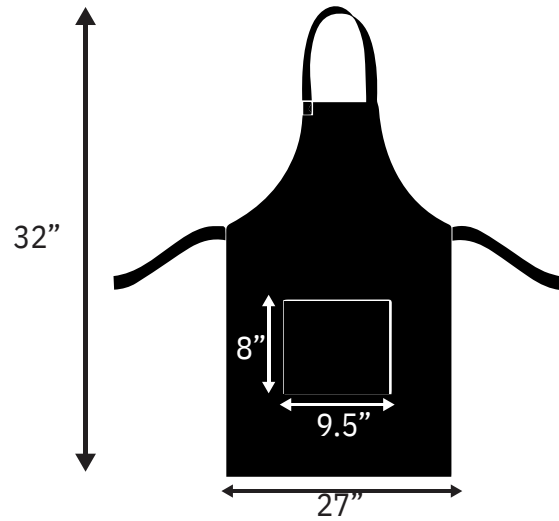
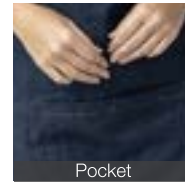
APRON



APRON



APRON
SERIES



NAVY
DENIM ADP
01



BLACK
DENIM ADP
02

CORPORATE UNIFORM

APRON

zeinac
TAILORIN



MATERIAL
100% POLYESTER



APRON

zeinac
TAILORING

APRON SERIES



FULL APRON
BLACK
AP 01



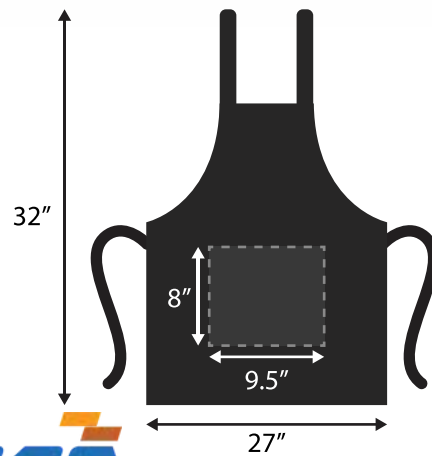
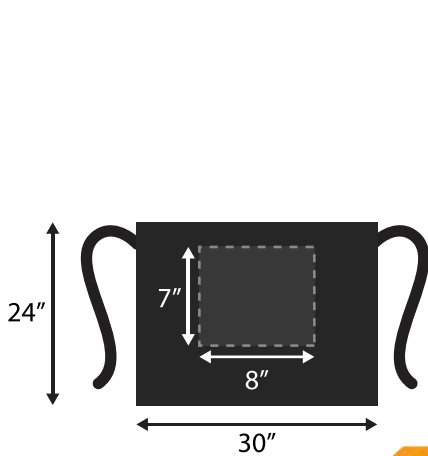
BACK
VIEW



HALF APRON
BLACK
AHP 01



BACK
VIEW



ZEINAC TAILORING (M) SDN BHD
(1333455-H)
25B-1, JALAN 6/1, PANDAN INDAH
55100, KUALA LUMPUR